

DECO-ROOF™



LOW PROFILE COPPER ROOF

INSTALLATION INSTRUCTIONS

NOTE: READ ALL OF THESE INSTRUCTIONS BEFORE YOU START!

CHECK THE MODEL NUMBER: This roof is made to fit the window model indicated on the side of the carton. It is unlikely to fit any other window model. If you don't have the right roof, call your dealer.

CHECK FOR BRICK OR STANDARD APPLICATION: Standard roofs are made so the roof flashing fits *under* the siding. If this roof was made specifically to fit **AGAINST THE FACE** of the brick or other masonry, then this application will be noted on the side panel of the carton.

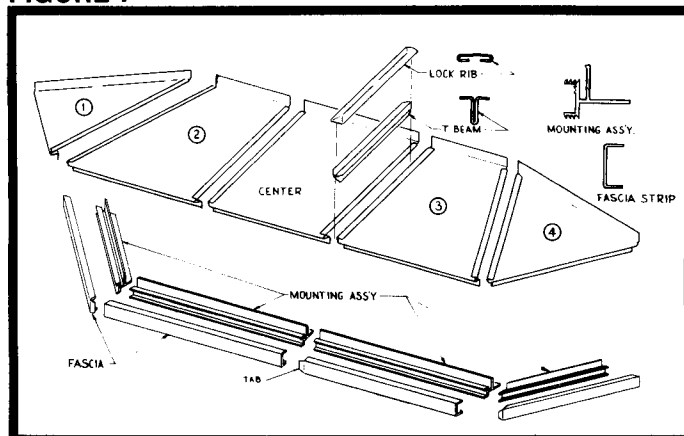
If not marked specifically for brick, then this roof cannot be used by itself for installation **AGAINST THE FACE** of brick or other masonry. For that use, you must order either the **CAPRI** counter-flashings or a **CAPRI** Brick Soffit Kit (which includes the counter-flashings). See your dealer for ordering information and prices.

TOOLS: You will need a #2 Phillips screwdriver, a caulking gun, and a drill with a 3/32" bit.

CHECK YOUR PARTS: Your **CAPRI** roof kit will have three or more roof panels, one vinyl mounting strip and one metal fascia cover for each panel, two or more T-beams, two or more lock-ribs, a bag of stainless-steel screws, and a tube of silicone sealant. The number of T-beams and lock-ribs will be one less than the number of panels.

All panels and parts are numbered or marked on the back. Panel numbers read from left to right, as seen from the front. Most roofs will have three or four panels, 1-2-3 or 1-2-3-4. **[FIGURE 1]**

FIGURE 1



BAY roof center panels and related parts are marked "CP," and are interchangeable. For instance, a five-panel bay roof will be marked 1-2-CP-3-4, and a six-panel bay roof will be installed 1-2-CP-CP-3-4.

BOW roof panels and parts are numbered sequentially; that is, 1-2-3 for a three-panel bow, 1-2-3-4-5 for a five-panel bow, etc.

WARNING!

If your roof is made of copper, **LEAVE THE PROTECTIVE POLYETHYLENE SHEETING ON ALL OF THE COPPER PARTS UNTIL THE INSTRUCTIONS SAY THAT IT SHOULD BE REMOVED!** This plastic cover protects the sensitive copper from scratches, fingerprints, stains, and the like during the installation process.

- 1. INSTALL THE VINYL MOUNTING STRIPS:** Starting with the left-hand mounting strip (#1), place it on the top outer edge of the window frame above the left-hand flanker window. If your window uses brickmold or casing, the strip mounts to the top outer edge of that. Carefully pre-drill through the vinyl into the window frame, and screw the strip into place, using the ½" stainless-steel screws provided [FIGURE 2].

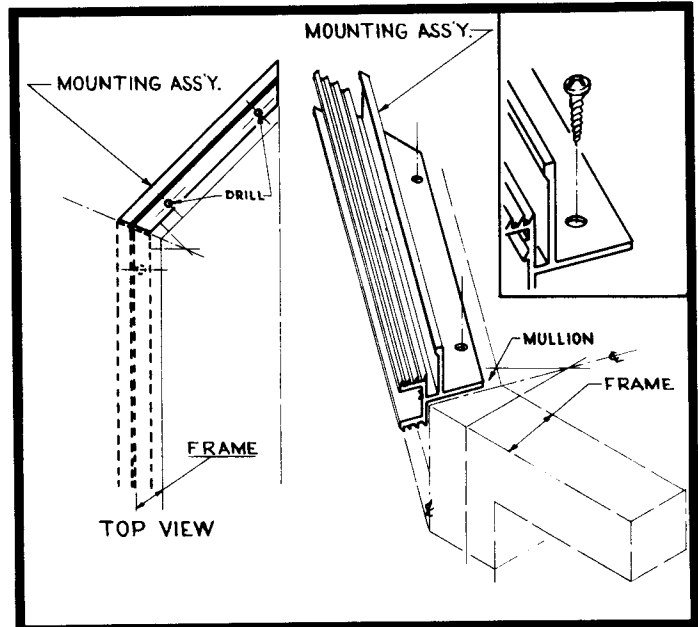
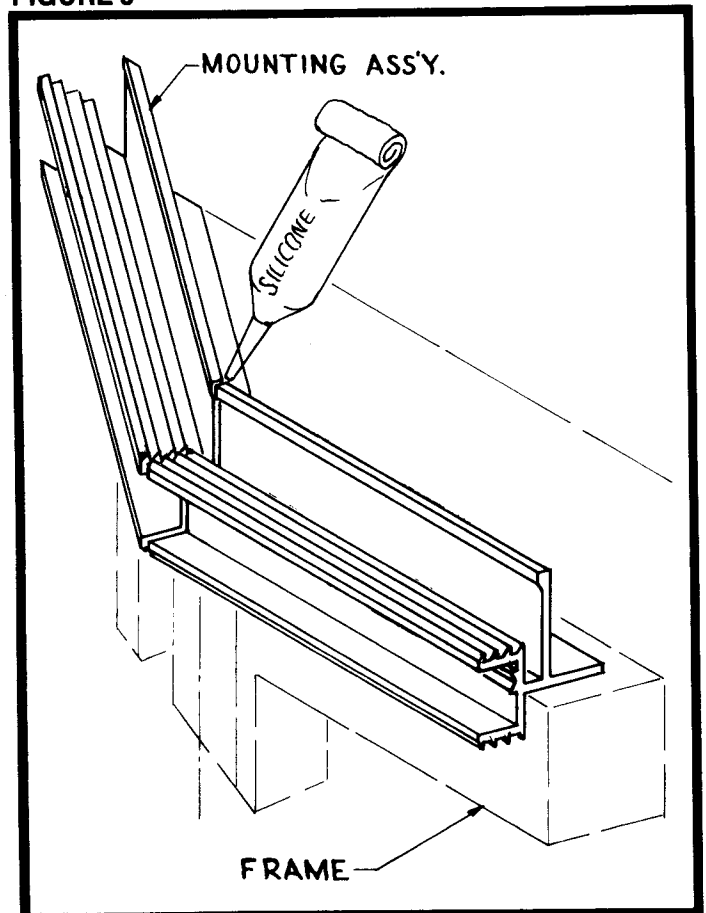


FIGURE 2

Repeat this step for all of the other mounting strips, from left to right. The tips of the strips should just about touch one another, but should NOT overlap. Lightly silicone the joint wherever two mounting assemblies come together. [FIGURE 3]

- 2. INSULATION:** Apply any insulation before installing any of the roof panels. Do not position the insulation so that it keeps the roof from sitting snugly on top of the window or smoothly against the wall.

FIGURE 3



Make sure that the window cable supports (if any) run back to the wall at a low enough angle to clear the roof.

3. **INSTALL THE ROOF PANELS:** Starting with the left (#1) panel, insert the bottom panel flange of the slot, making sure that the flange seats solidly in the bottom of the slot and that the panel flashings fall smoothly against the wall. [FIGURE 4]

Working from left to right, install the rest of the roof panels, leaving a gap of about 1/8" between the panels.

Insert the appropriate T-beam into each panel junction, then slide the lock-ribs up the panel flanges all the way. This is just a temporary assembly. [FIGURE 5]

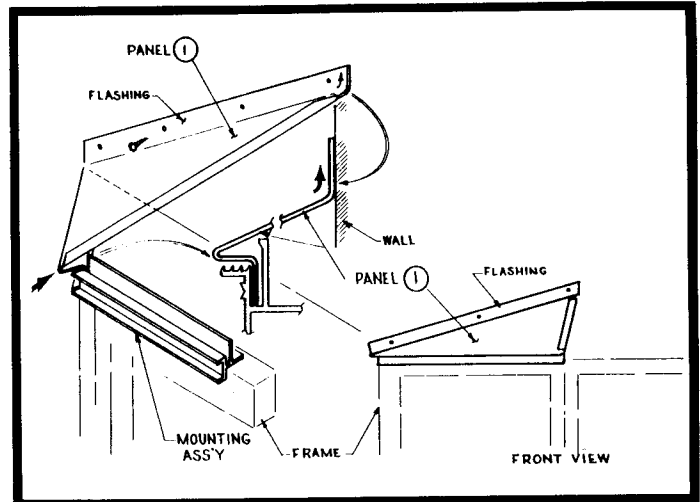
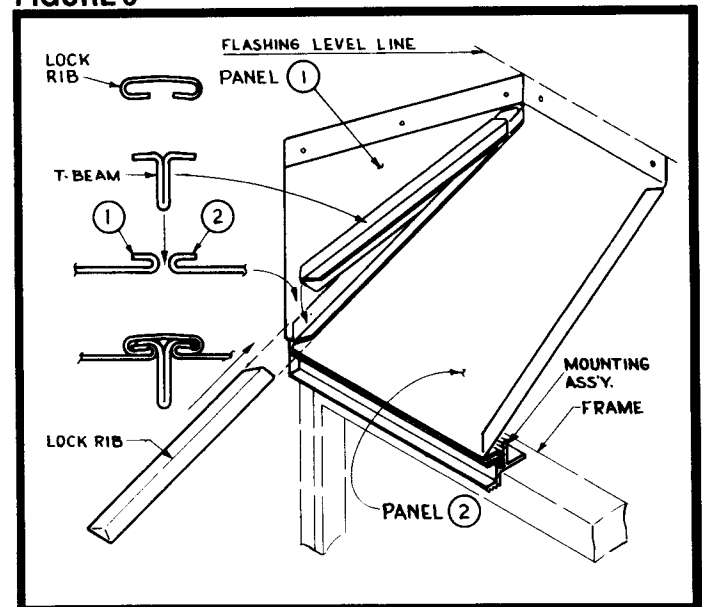


FIGURE 4

4. **ATTACH THE PANELS:** Make sure that the roof panels are lined up with the window, then nail the panel flashings to the wall. For masonry installations, use your choice of masonry anchors (not provided) to attach the flashings to the wall.

Screw the panel flanges to the vinyl mounting strips using the 1/2" stainless-steel screws provided. Pilot-drill the screw holes through the "V"-shaped screw-guide on the vinyl strip. Two screws per panel should be sufficient. [FIGURE 7]

FIGURE 5



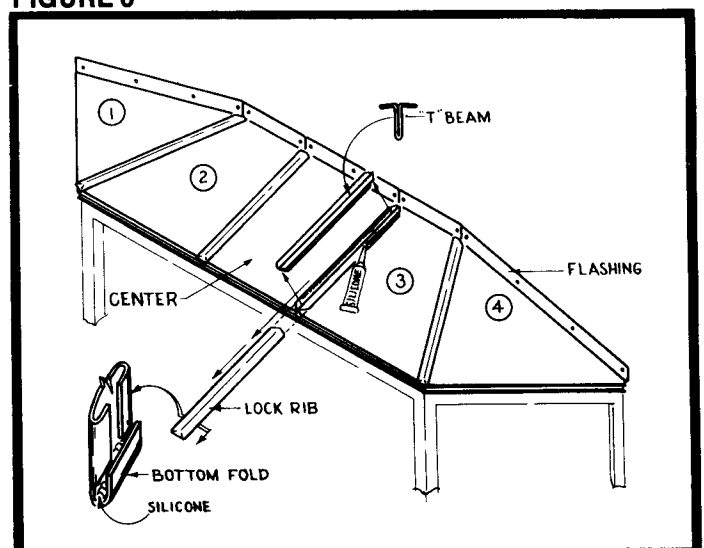
5. **SEAL THE PANEL JUNCTIONS:** *One junction at a time*, remove the lock-rib and T-beam from the panel junction. Run a small bead of silicone down the top of each panel flange. Re-insert the T-beam so that it is sealed to the panel flanges by the silicone. [FIGURE 6]

Run another bead of silicone into the bottom fold of the lock-rib where it will clasp the roof overhang. Slide the lock-rib back into place. *Make sure that the lock-rib flanges slide up UNDER the panel flanges!* [FIGURE 5]

With the lock-rib about a half-inch (1/2") from closing, seal the upper end of the T-beam and the top section of the panel seam where it meets the panel flashings. Close the lock-rib snugly. Finally, seal the flashing seams and the nails. [FIGURE 7]

Repeat this procedure for each of the remaining panel junctions.

FIGURE 6



6. **SNAP THE FASCIA STRIPS INTO PLACE:** Leave the #2 fascia strip for last (that's the fascia strip without any tabs). Run a small bead of silicone along each of the two inside angles of the #1 fascia strip. Carefully snap it into place over the corresponding mounting strip. Repeat this procedure for all of the remaining fascia strips, fitting each strip over the tab of its neighbors, and ending with the #2 strip. [FIGURE 7]
7. **SIDING:** Apply the siding over the flashings and up to the edge of the roof slope. [FIGURE 7]
8. **REMOVE THE PROTECTIVE POLYETHYLENE:** After the siding has been installed and the danger from construction hazards has passed, strip off the protective sheeting. Your CAPRI roof is now completed!

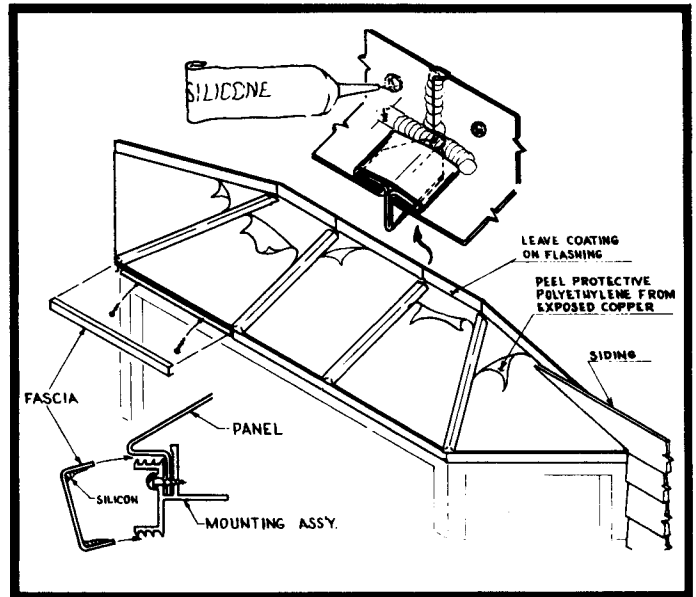


FIGURE 7

WARNING!!!

DO NOT EXPOSE THE POLYETHYLENE SHEETING TO MORE THAN A WEEK OR SO OF SUNSHINE! SHOULD YOU DO SO, ULTRAVIOLET RADIATION MAY TURN THE PEELABLE ACRYLIC LATEX ADHESIVE TO A NOT-SO-PEELABLE ACRYLIC LATEX PAINT! THIS WILL MAKE THE POLYETHYLENE EXTREMELY DIFFICULT AND COSTLY TO REMOVE!

MASONRY INSTALLATIONS: See the separate *INSTALLING THE COUNTER-FLASHINGS* sheet for information on installing our special counter-flashings. That sheet is only packed with kits marked for brick or masonry.

CARE OF THE COPPER ROOF: If your roof is copper, you will find a separate sheet on the care and maintenance of the copper finish included in your kit.

**For installation or technical problems,
please contact our Tech Support Team at 800-326-5355.**

